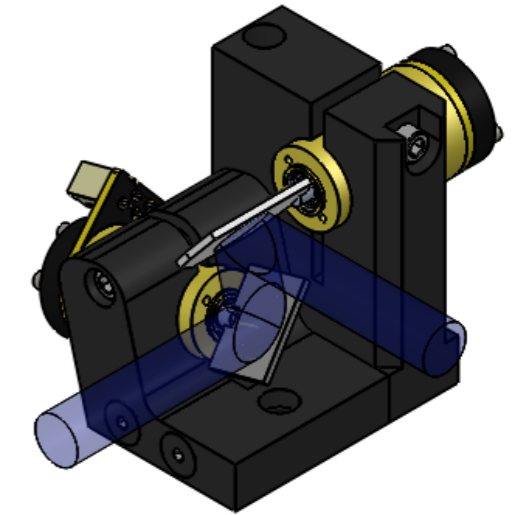
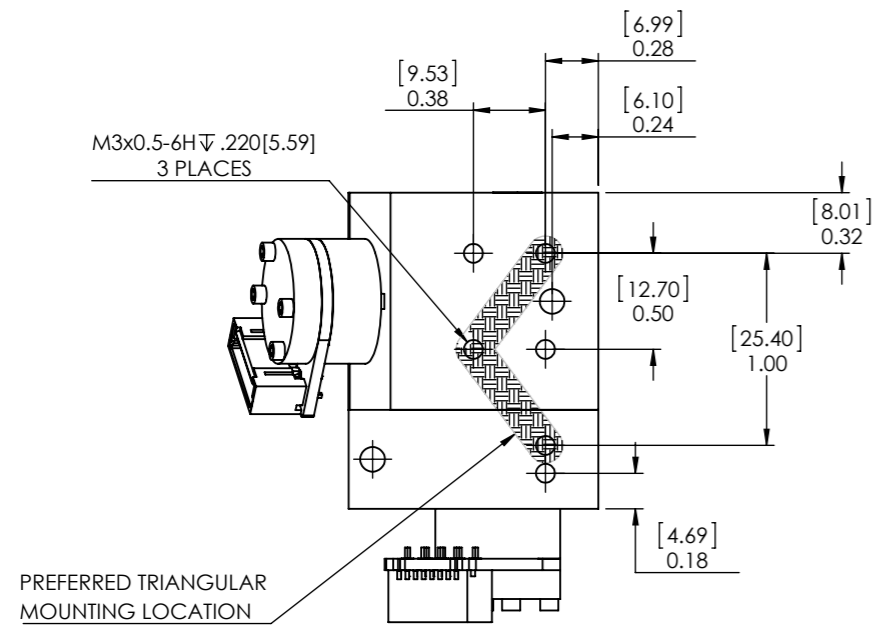
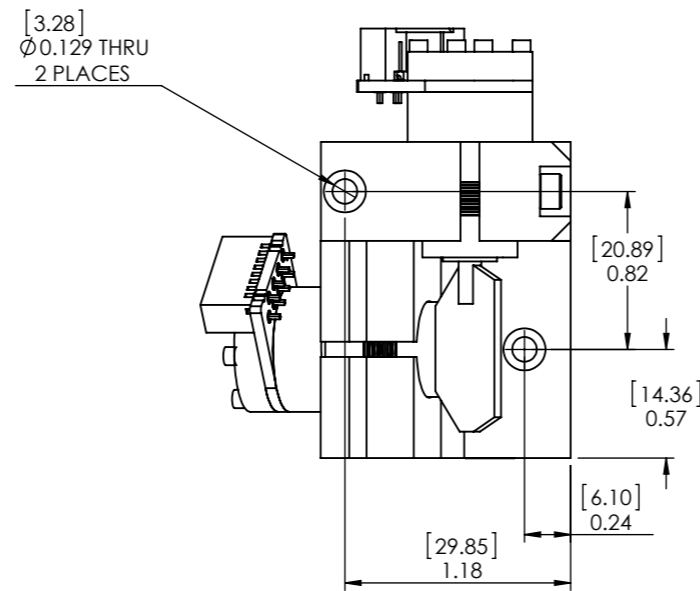


BEAM SHOWN WITH SCANNER IN CENTER POSITION

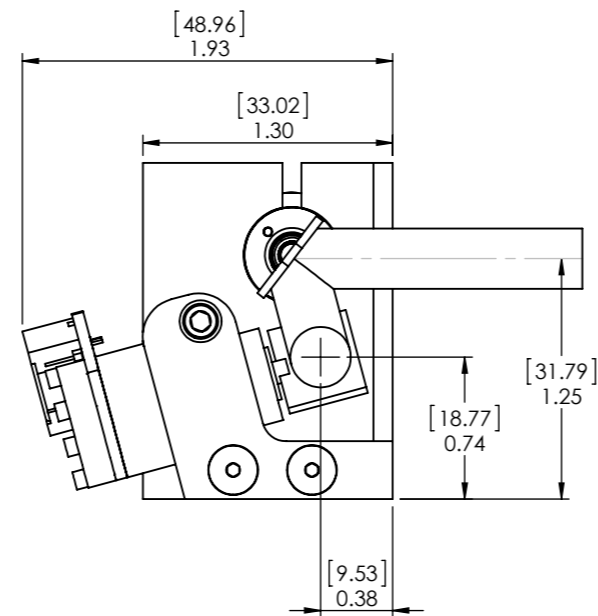
8mm ROUND BEAM SHOWN



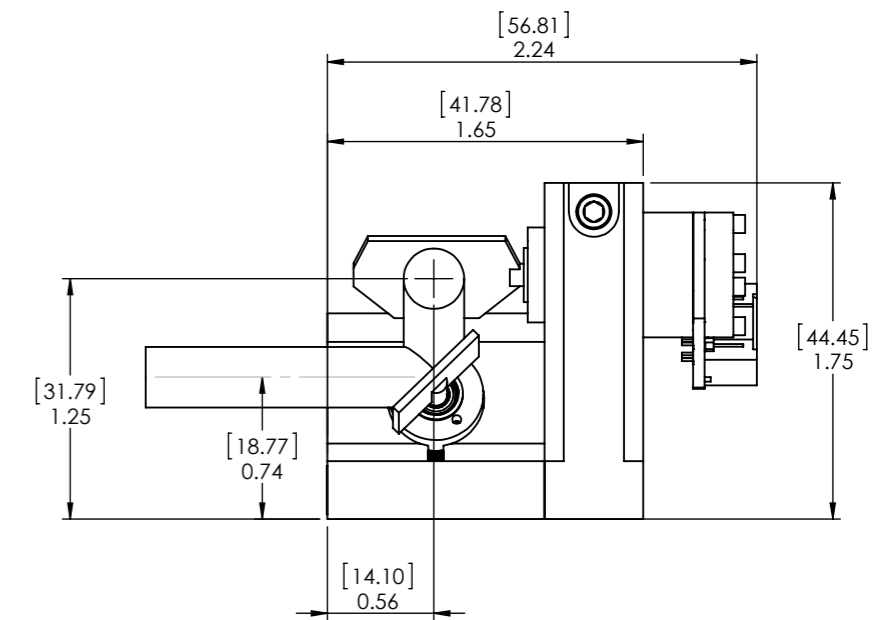
TOP VIEW



BOTTOM VIEW

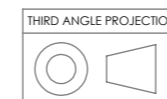


10mm BEAM INPUT



10mm BEAM OUTPUT

Mount Type	Beam Size	Horizontal Scan Angle	Vertical Scan Angle
X-Y Mount (with 15 degree setback)	6mm	48 Degrees	58 Degrees
	7mm	44 Degrees	53 Degrees
	8mm	40 Degrees	40 Degrees



		DO NOT SCALE DRAWING		REVISION
		Pangolin Laser Systems, Inc.		
DRAWN: R. Smith NAME: R. Smith DATE: Wednesday, August 12, 2015 DIMENSIONS ARE IN INCHES[mm]		COMPACT 506 8mm XY Mount, LH Entry, 40 Degrees Optical		
MATERIAL: VARIOUS		DWG NO.:	C506_80_XY_LH	A3
WEIGHT:		SCALE: 1:1	SHEET 1 OF 1	