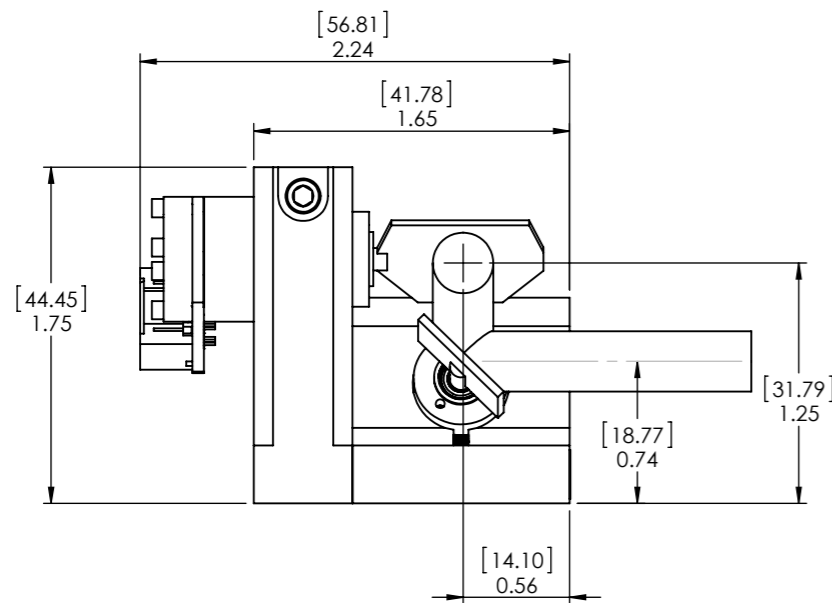
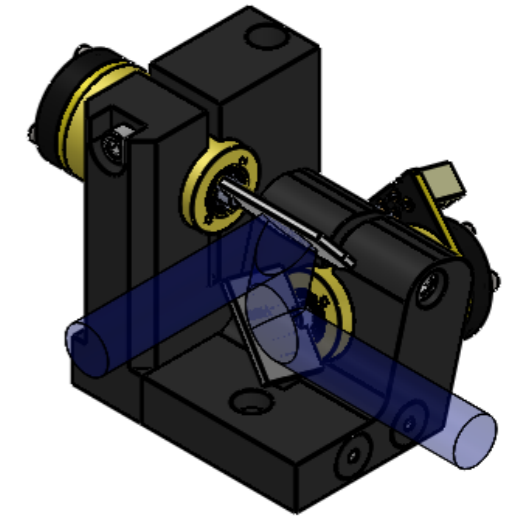
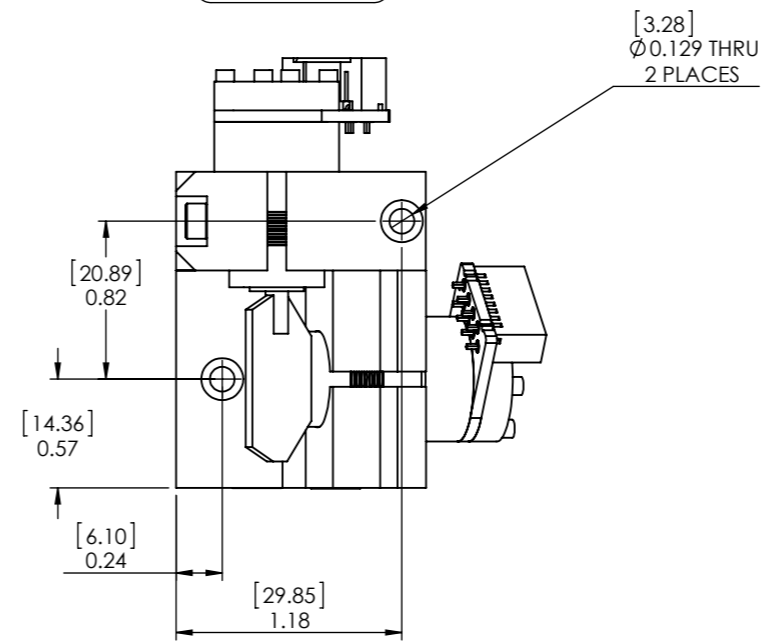


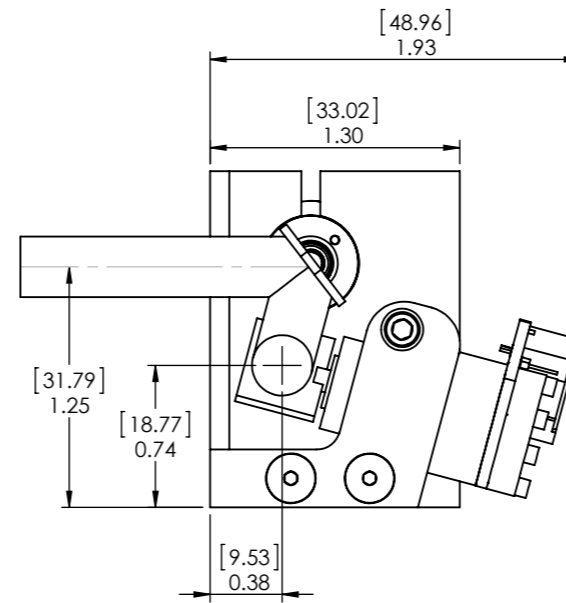
# BEAM SHOWN WITH SCANNER IN CENTER POSITION

## 8mm ROUND BEAM SHOWN

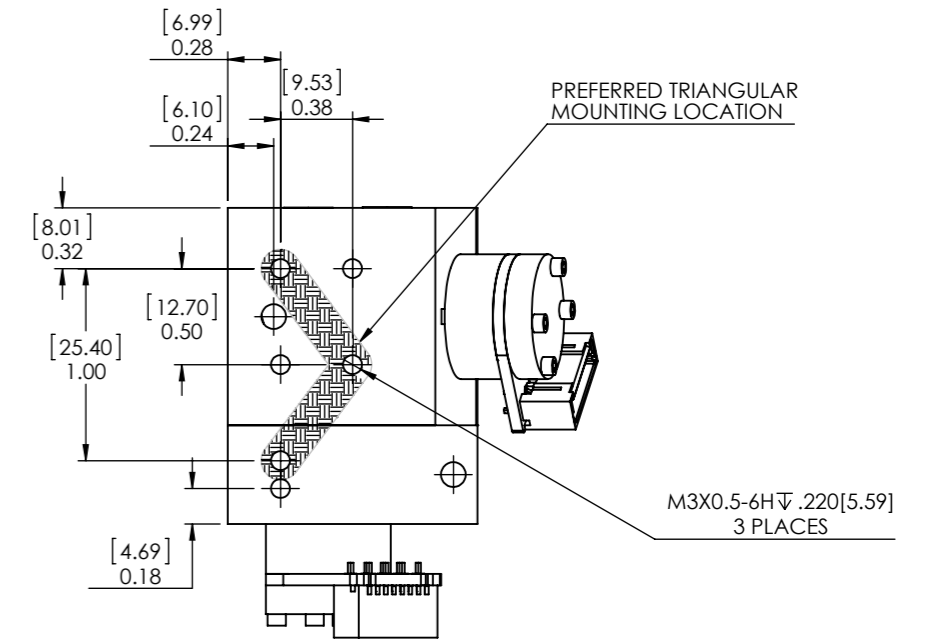
TOP VIEW



8MM BEAM OUTPUT

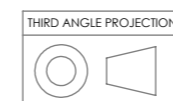



8MM BEAM INPUT



BOTTOM VIEW

Mount Type	Beam Size	Horizontal Scan Angle	Vertical Scan Angle
X-Y Mount (with 15 degree setback)	6mm	48 Degrees	58 Degrees
	7mm	44 Degrees	53 Degrees
	8mm	40 Degrees	40 Degrees



		DO NOT SCALE DRAWING	
		Pangolin Laser Systems, Inc.	
DRAWN	NAME R. Smith	DATE Friday, July 17, 2015	TITLE: COMPACT 506 8mm XY Mount, RH Entry, 40 Degrees Optical
DIMENSIONS ARE IN INCHES [mm]			DWG NO. C506_80_XY
MATERIAL: VARIOUS		A3	
SCALE: 1:1		SHEET 1 OF 1	